



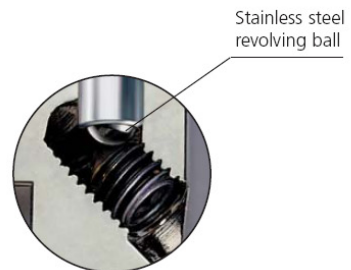
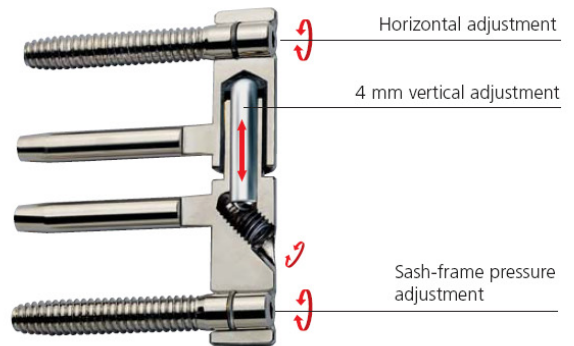
NEW WEATHERPROOF STAINLESS STEEL HINGE

STAINLESS STEEL

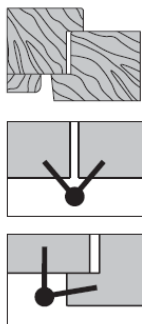
- 14 mm and 16 mm diameters
- All components made of high quality STAINLESS steel
- Capacity load over 120 kgs
(with 2800 mm x 600 mm doors)
- Now available for shipment also the stainless steel 119 Model

**EXCLUSIVE
PRODUCT**

THREE-DIMENSIONAL ADJUSTMENT



3D Adjustable Hinge

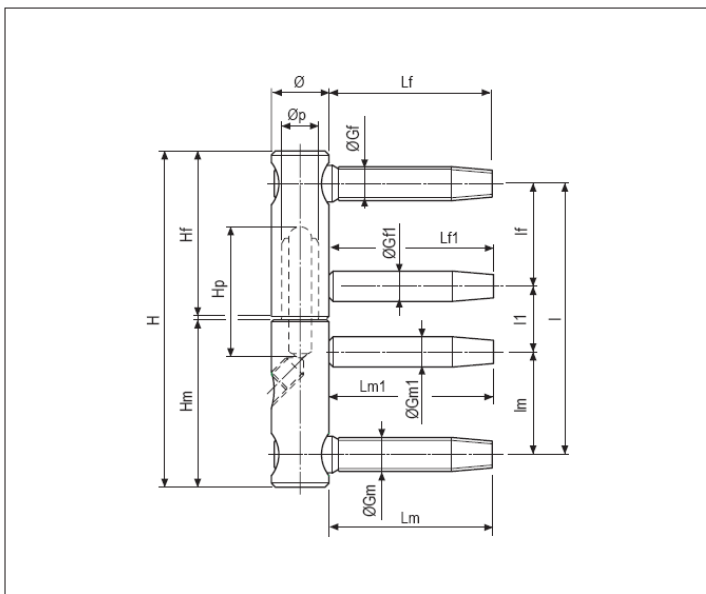


Description

Adjustable hinge made of stainless steel, 14 and 16 mm in diameter, featuring threaded pins with 1.8 mm pitch, maximum stripping strength, easily screwed down into wood. These characteristics make it suitable for fire-stop doors.

Adjustments: three-dimensional adjustment possible (horizontal, vertical and depth) using a single 4 mm Allen wrench. A 3 mm wrench is used only for the vertical adjustment of the 14 mm diameter hinge.

- ❶ Horizontal adjustment: made by adjusting the threaded pin on the upper body (to hold the sash perfectly plumb)
- ❷ Depth adjustment: made by adjusting the threaded pin on the lower body (to apply the proper pressure to the gasket)
- ❸ Vertical adjustment: 4 mm, through the thrust applied by a tapered screw onto the revolving ball set in the mobile pivot.





Hinge measurements

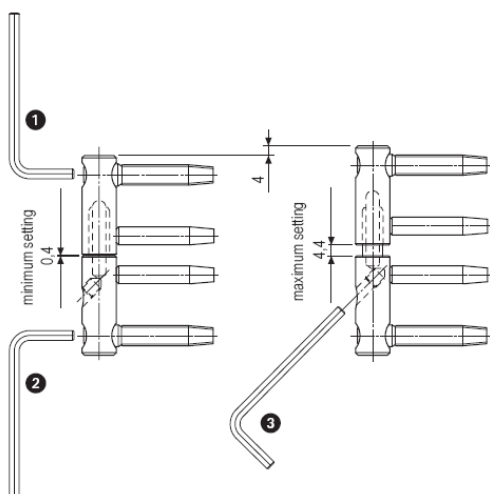
Dimension	Diameter (Ø)	
	14	16
H	82	82
l	66	66
Hm	41	41
Hf	41	41
Øp	8.5	10
Hp	31	31
ØGm	8.3	8.8
Lm	39.5	48.5
ØGf	8.3	8.8
Lf	39.5	48.5
lm / lf	25	25
l1	16	16
ØGm1 / Gf1	7.4	7.7
Lm1 / Lf1	40	50

Order specifications

Material	Diameter	Part No.
STAINLESS STEEL	14mm	E01165.14.01
	16mm	E01165.16.01

Available covers

	BRASS: Art. E01159.xx.xx for ø 14-16 mm
	ABS: Art. E01151.xx.xx for ø 14-16 mm
	BRASS: Art. E01153.xx.xx for ø 14-16 mm



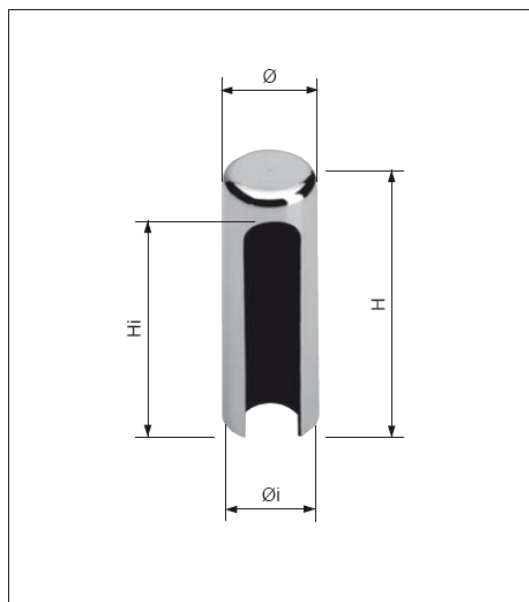
INSTALLATION TOOLS ("Jigs")

Installation on rebated frame

- Guide tool box article code E00112.XX.04
- Guide tool kit article code E00125.XX.04
- Single jig article code E00139.XX.04
- Jig rod for windows article code E00136.00.09/02
- Jig rod for door-windows article code E00136.00.13/06/21

Installation on flush frame

- Guide tool box article code E00115.XX.04
- Guide tool kit article code E00165.XX.04
- Single jig article code E00133.XX.04
- Jig rod for windows article code E00136.00.11/04
- Jig rod for door windows article code E00136.00.15/08/23



Standard Cover for 3D Hinges

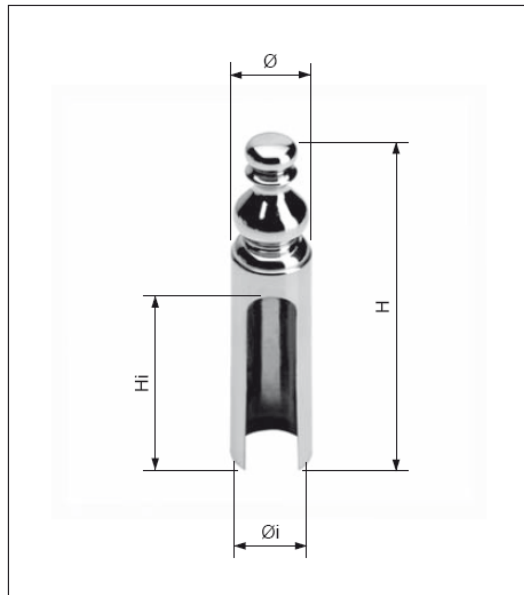
Material	Part No.	Ø	Øi	H	Hi
ABS	E01151.14.XX	16	14	47	42
	E01151.16.XX	18	16	48	43
ALUMINIUM	E21151.14.XX	15	14	46	40
	E21151.16.XX	17	16	46	40
BRASS	E01159.14.XX	15	14	50	40
	E01159.16.XX	17	16	50	40

NB. Check with FFI Customer Service for availability of finishes.



Standard Cover for 3D Hinges

ABS	Finish	Height (mm)	Part No.	Box	Case	
ø 14	Nickel plated	47	E01151.14.06	40	400	
	Light bronze plated	47	E01151.14.14	40	400	
	Matt nickel plated	47	E01151.14.16	40	400	
	Enam. brass plated	47	E01151.14.50	40	400	
	White RAL 9010	47	E01151.14.91	40	400	
	Black	47	E01151.14.93	40	400	
	Brown	47	E01151.14.94	40	400	
	White RAL 9001	47	E01151.14.98	40	400	
	ø 16	Nickel plated	48	E01151.16.06	40	400
		Light bronze plated	48	E01151.16.14	40	400
Matt nickel plated		48	E01151.16.16	40	400	
Enam. brass plated		48	E01151.16.50	40	400	
White RAL 9010		48	E01151.16.91	40	400	
Black		48	E01151.16.93	40	400	
Brown		48	E01151.16.94	40	400	
White RAL 9001		48	E01151.16.98	40	400	
Brass						
ø 14		Bronze plated	50	E01159.14.02	40	400
	Enam. polished	50	E01159.14.10	40	400	
ø 16	Bronze plated	50	E01159.16.02	40	400	
	Enam. polished	50	E01159.16.10	40	400	
Aluminum						
ø 14	Nickel plated	46	E21151.14.06	40	400	
	Matt. nickel plated	46	E21151.14.16	40	400	
	Enam. brass plated	46	E21151.14.50	40	400	
ø 16	Nickel plated	46	E21151.16.06	40	400	
	Matt nickel plated	46	E21151.16.16	40	400	
	Enam. brass plated	46	E21151.16.50	40	400	



Baroque Style Cover for 3D Hinges

Material	Article	Ø	Øi	H	Hi
BRASS	E01153.14.XX	15	14	70	40
	E01153.16.XX	17	16	70	40

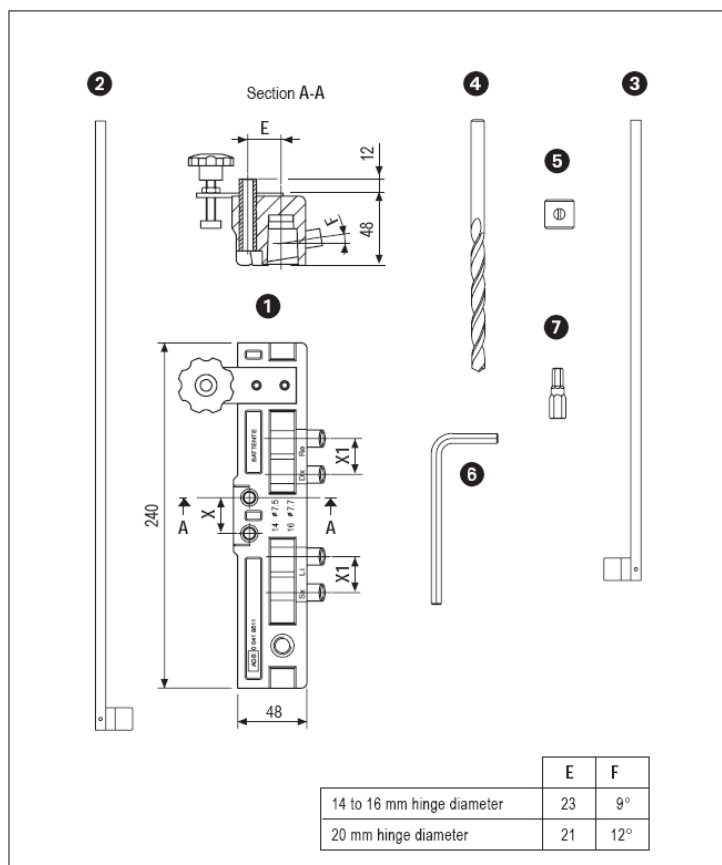
***NB.** Check with FFI Customer Service for availability of finishes.*



Baroque Style Covers for 3D Hinges

Brass	Finish	Height (mm)	Part No.	Box	Case
ø 14	Bronze plated	70	E01153.14.02	☒	24 240
	Anthracite	70	E01153.14.07	☒	24 240
	Enam. polished	70	E01153.14.10	☒	24 240
ø 16	Bronze plated	70	E01153.16.02	☒	24 240
	Enam. polished	70	E01153.16.10	☒	24 240

Jig for 3D adjustable hinges - rebated sash



References:

- 1 Jig
- 2 Rod for door window
- 3 Rod for window
- 4 Bit
- 5 Bit holder
- 6 Hex key
- 7 Insert for screw

Guide tool box

Contents for TOP and 3D model hinges, ø 14-16: 2 jigs, 1 bit ø 7.5 mm, 1 bit ø 7.7 mm, 2 bit holders, 3 hex keys, 2 inserts for screwer.

Contents for TOP and 3D model hinges, ø 20: 2 jigs, 1 bit ø 8.2 mm, 1 bit holder, 1 hex key, 1 insert for screwer.

Guide tool kit

Contents for TOP and 3D model hinges, ø 14-16-20: 6 jigs, 2 rods for door window, 2 rods for window, 2 bits, 2 bit holders, 3 hex keys, 2 inserts for screwer, 6 jig fastening knobs.

Contents for TOP and 3D model hinges, ø 20: 6 jigs, 2 rods for door window, 2 rods for window, 2 bits, 2 bit holders, 1 hex key, 2 inserts for screwer, 6 jig fastening knobs.

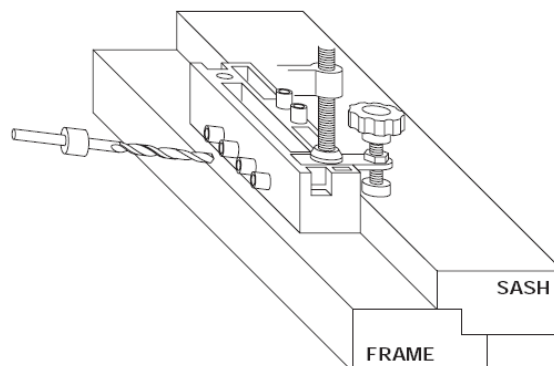
NB. Kits art. E00112.16.04 and E00125.16.04 contain accessories for installation of the 14 mm diameter 3D hinges.

Part No.	Type	Diameter mm
Box tool guide		
E00112.16.04		14-16
E00112.20.04		20
Kit guide fittings		
E00125.16.04		14-16
E00125.20.04		20
Single Jig		
E00139.16.04		14-16
E00139.20.04		20
Jigs rod for windows		
E00136.00.09	r.h.	
E00136.00.02	l.h.	
Jigs rod for balcony doors		
E00136.00.13	r.h.	14-16
E00136.00.06	l.h.	14-16-20
E00136.00.21	r.h.	20

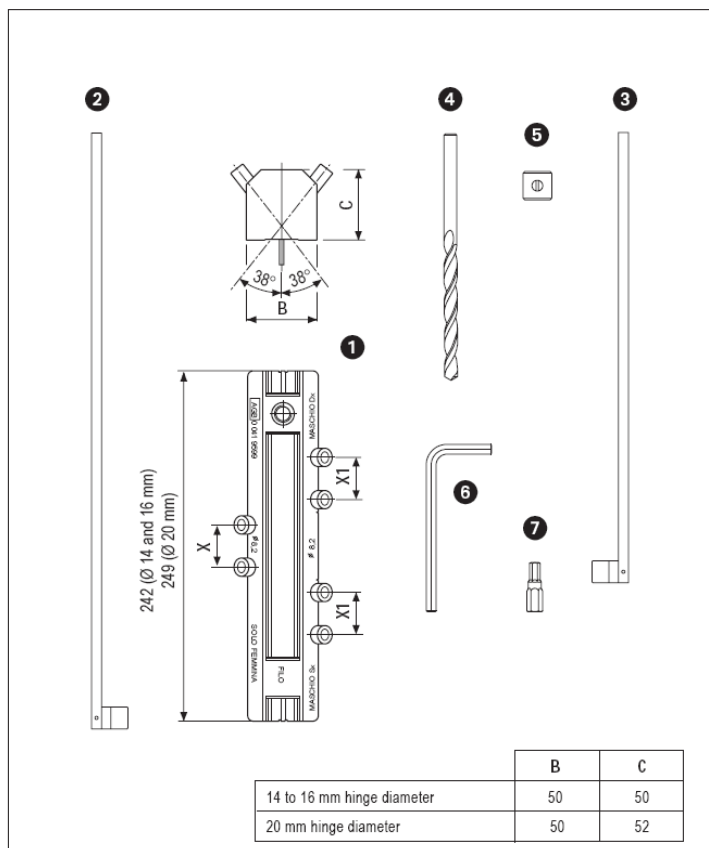
Hinge dimensions

Ø hinge	X mm	X1 mm	BIT		Bit holder for Ø
			Ø	L	
14-16	25	25	7,5-7,7	156-160	8,8
20	30	30	8,2	165	8,8

Drilling diagram



Jig for 3D adjustable hinges - flush sash



References:

- ① Jig
- ② Rod for door window
- ③ Rod for window
- ④ Bit
- ⑤ Bit holder
- ⑥ Hex key
- ⑦ Insert for screw

Guide tool box

Contents for adjustable hinges with 4 pins, Ø 14-16: 2 jigs, 1 bit Ø 7.5 mm, 1 bit Ø 7.7 mm, 2 bit holders, 3 hex keys, 2 inserts for screwer.

Contents for adjustable hinges with 4 pins, Ø 20: 2 jigs, 1 bit Ø 8.2 mm, 1 bit holder, 1 hex key, 1 insert for screwer.

Guide tool kit

Contents for TOP and 3D model hinges Ø 14-16: 6 jigs, 1 rod for door window, 1 rod for window, 2 bits, 2 bit holders, 2 hex keys, 2 inserts for screwer, 6 jig fastening knobs.

Contents for TOP and 3D model hinges, Ø 20: 6 jigs, 2 rods for door window, 2 bits, 2 bit holders, 1 hex key, 2 inserts for screwer, 6 jig fastening knobs.

NB. Kits art. E00115.16.04 and E00165.16.04 contain accessories for installation of the 14 mm diameter 3D hinges.

Part No.	Type	Diameter mm
----------	------	-------------

Box tool guide

E00115.16.04		14-16
E00115.20.04		20

Kit guide fittings

E00165.16.04		14-16
E00165.20.04		20

Single Jig

E00133.16.04		16
E00133.20.04		20

Jigs rod for windows

E00136.00.11	r.h.	
E00136.00.04	l.h.	

Jigs rod for balcony doors

E00136.00.15	r.h.	14-16
E00136.00.08	l.h.	14-16-20
E00136.00.23	r.h.	20

Hinge dimensions

Ø hinge	X mm	X1 mm	BIT		Bit holder for Ø
			Ø	L	
14-16	25	25	7,5/7,7	156/160	8,8
20	30	30	8,2	165	8,8

Drilling diagram

