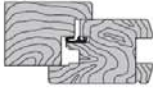


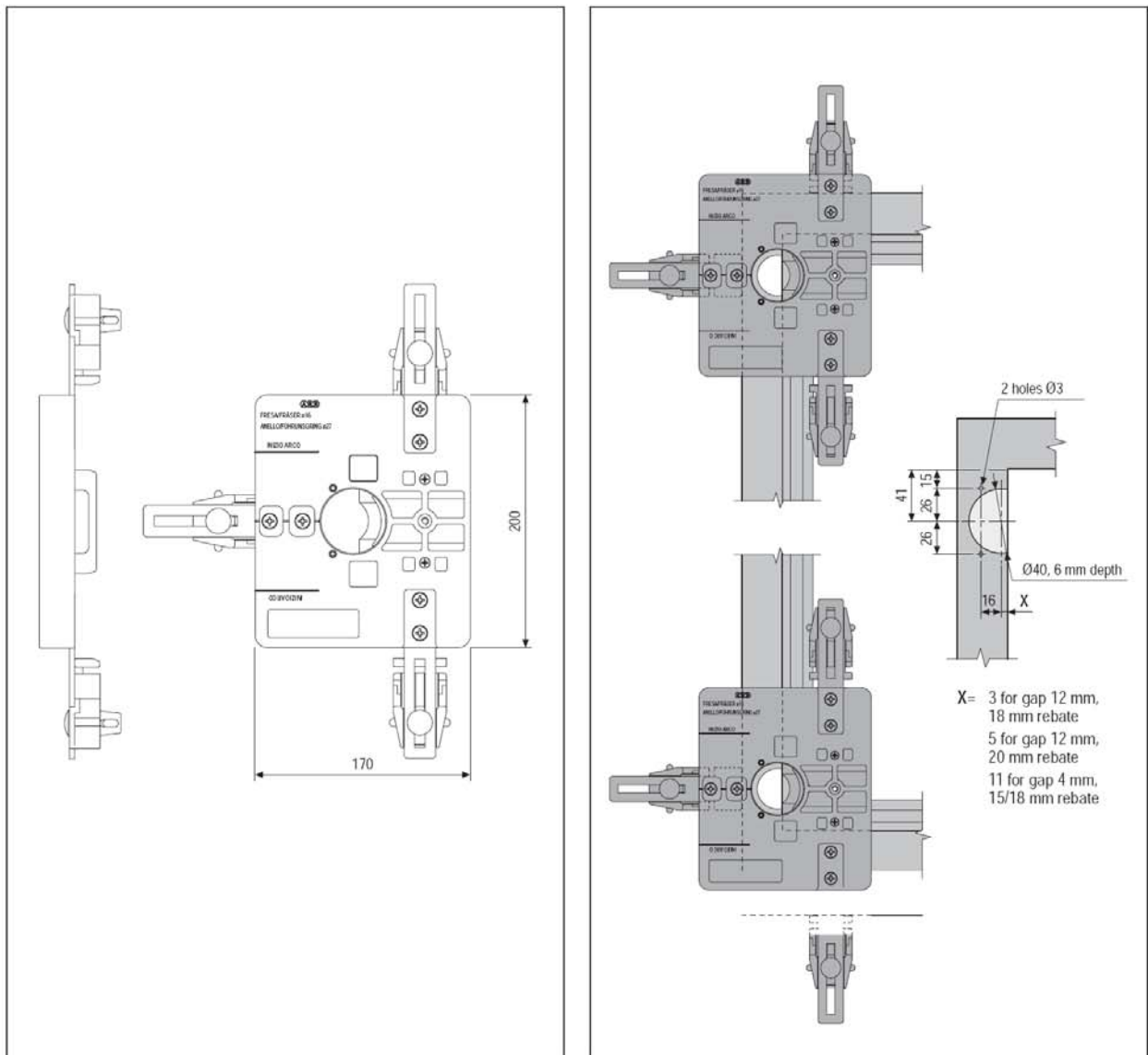
# TESI for wooden windows - Jig for corner hinge and stay arm support, ø40mm milling



**Description**

Jig for milling of ø40mm mortise for the TESI stay arm support and lower corner hinge, suitable for the following window typology:  
 - gap 12 mm, 18 and 20 mm rebate (all the components).  
 - gap 4 mm, 15/18 mm rebate (stay arm supports and hinges)  
 \*for doors with aluminium sill; the hinge for window has to be mounted with A39200.01.02 jig).

NOTE: This jig requires a router "guide ring" for milling and is purchased separately. See page 2 "USE" for details.



**Order Specifications**

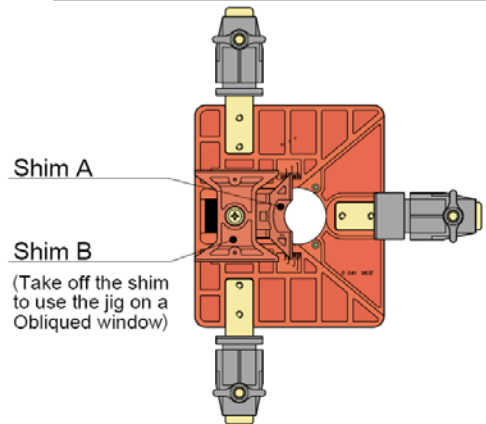
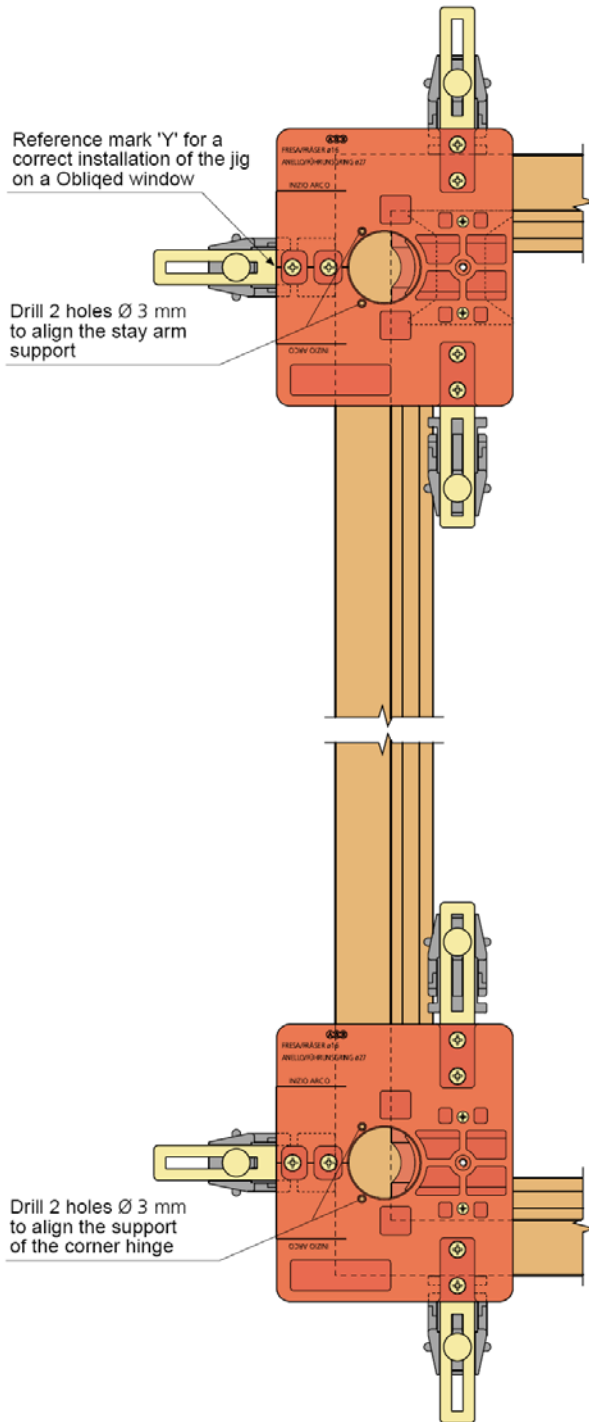
Article
A39200.00.01

**USE:**

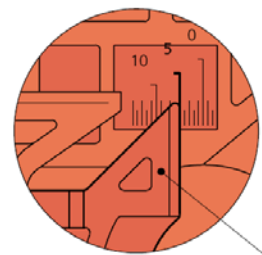
- 1) Adjust the shim 'A' in relation to the rebate (overlap) of the window sash.
- 2) Rest the jig with the shim 'A' against the stile and the shim 'B' against the rail.
- 3) Make the mortise milling with a router at a depth of 6mm.  
A "guide ring" for router must be used and is purchased separately.  
 The O.D. of the guide ring must be 11mm larger than the router bit diameter.  
 A maximum router bit diameter of 40mm is allowable.  
*Example, if a  $\varnothing 16\text{mm}$  router bit is used a guide ring with O.D. of 27mm is used.  
 If a  $\varnothing 40\text{mm}$  router bit is used a guide ring with O.D. 51mm is used.*
- 4) Drill the alignment fixing holes using a 3mm bit.

**NOTE:**

Always refer to Technical file for additional information regarding the specific stay arm support and lower corner hinge used.



**Adjustment of the shim A**

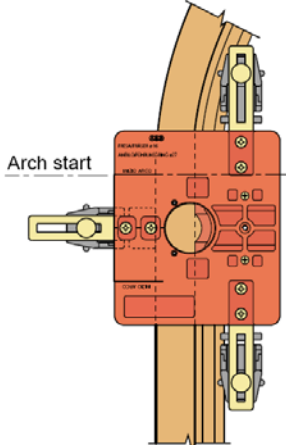
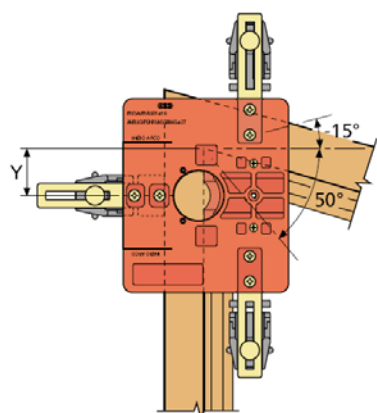


Adjust the shim A in relation to the rebate of the window.  
(es. rebate 20 mm)

**X= 3** for rebate 18 mm  
**5** for rebate 20 mm

**Application of the jig on a Obliqwed windows (Take off the shim B)**

**Application of the jig on a Arched windows**



Angle	Distance	Angle	Distance
-15°	44	25	48,5
-10°	44,5	30	50
-5°	44,5	35	51,5
5	45,5	40	53
10	46	45	55
15	47	50	58
20	47,5		