

FFI Multipoint

Lock & Stay for casement windows

One hand activates multiple lock points

Functional Fenestration Inc (FFI) multipoint window gears are designed for large architectural openings with natural ventilation, secure sash alignment, and weather-resistance.

The **Winkhaus easyPilot Nordic** is for outswing or inswing casement windows, and includes a built-in casement stay brake.



Lock with Stay Applications

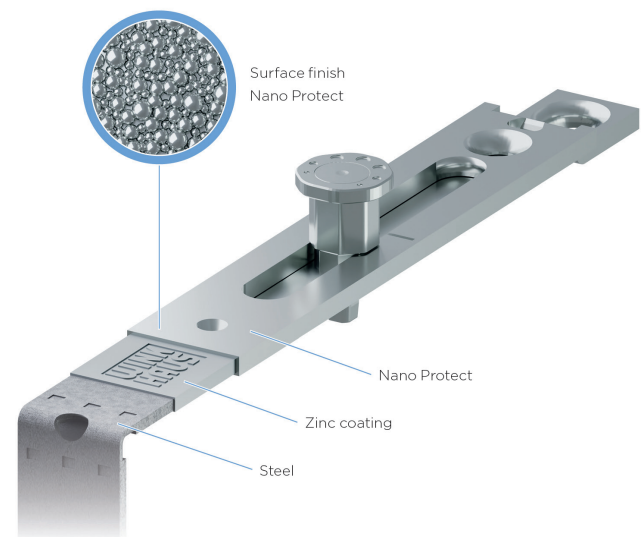
- For rectangular casement windows, single or French pairs.
- For wood, composite or PVC/vinyl sashes.
- For in-swing and out-swing casement windows.
- Sash heights from 710 to 1050 mm.
(See Nordic catalog for more options)
- Sash rebate widths from 260 to 1467 mm.
(See Nordic catalog for more options)
- Maximum sash weight will be according to hinge specification.
- Can be used with roll-down screens

Features

- Winkhaus multipoint hardware is protected by the Nano Protect finish, which passed testing to EN 16750 Class 5, 480 hours corrosion resistance
- Turn the handle down to use casement stay brake mechanism to stop the window at any point.
- Locking cams are adjustable, with octagonal bolt unique to Winkhaus.
- Central handle height, adjustable by trimming the gear.
- Backsets: 25, 30, 35, 40, 45 or 50 mm.
(See Nordic catalog for more options and details)
- Lock spindle hub for 7 mm square spindle.
- Tested for corrosion-resistance to Grade 4 (of 5) EN 1670 standard.

Benefits

- One handle operation to swing and lock casement windows.
- High strength, security and warp prevention from multiple cam lock points.
- 16 mm faceplate milling is universal for European multipoints (window, tilt turn & door).
- Large operable windows satisfy green building goals for natural ventilation and daylight.
- Casement windows allow ease of cleaning and emergency egress.



Octagonal cam

For more options and details, see FFI's Winkhaus easyPilot Nordic catalog.
Contact FFI at 800-677-0228 or sales@fenestration.net

FFI Multipoint Lock & Stay Components

(Standard items listed below, see [catalog](#) for special order)

4941082 Drive gear 30mm



- Part # Locking gears for rectangular windows, central handle position**
- 4941082 Drive Gear 30mm** backset, 1 cam, for ht. 710-1050mm
- 4933315 Drive Gear 35mm** backset, 2 cams, for ht. 900-1400mm

- Part # Locking gears for inactive sash in French pair, central handle position**
- 4941069 Drive Gear 30mm** backset, no cam, for ht. 510-800mm

4936824 Window Stay Brake

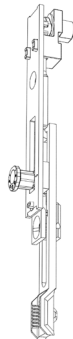


- Part # Casement Stay Braking System, connects at top of gear**
- 4936824 Window Stay Brake** FB-GVT 800/16mm for SRW 601-967mm
- 4936825 Window Stay Brake** FB-GVT 1300/16mm for SRW 801-1467mm
- 5074109 Top Connector, Brake to gear**, for SRW 260-1300mm*
- 5010558 Top Corner Connector, Brake to gear**, for SRW 433-1467mm
- 4936999 Frame Plate** connects window brake to frame, for wood or PVC windows

* Window top mount only



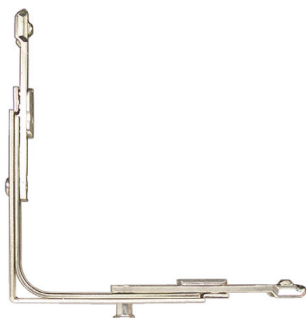
4936999 Frame Plate



5074109 Top Connector



4937603 Bottom Terminal



2841823 Bottom Corner Terminal

- Part # Terminals for bottom of gear, straight or corner drive**
- 4937603 Bottom Terminal**, 1 cam, non-handed
- 2841823 Bottom Corner Terminal** E1, 1 cam, for SRW 433-1467mm

For more options and details, see FFI's Winkhaus easyPilot Nordic catalog.
Contact FFI at 800-677-0228 or sales@fenestration.net

FFI Multipoint Lock & Stay Components - in stock

(See FFI Winkhaus easyPilot Nordic [catalog](#) for details and other options)



4928276 Cam keep



4928319 Cam keep



4928310 Cam keep



4928278 Cam keep

Part #	Cam Keeps, order 1 per cam
4928276	Cam keep , standard 9mm groove position, 18mm rebate
4928319	Cam keep , standard 13mm groove position, 24mm rebate
4928310	Cam keep , security 9mm groove position, 18mm rebate, Left hand
4928278	Cam keep , security 9mm groove position, 18mm rebate, Right hand



1793209 End Cover Plate



1934201 Faceplate Cover



4933994 Extension

Part #	Other parts
1793209	End Cover Plate to cover connecting rod for corner drive or extension
1934201	Faceplate Cover to cover corner drive with cut gear or extension
2822471	Extension Interlocking Rod M 250mm, 1 cam
4933994	Extension Interlocking Rod M 500mm, 1 cam

Other Options - special order items (See FFI Winkhaus easyPilot Nordic catalog)

- Drive Gears with other heights and backsets 25, 30, 35, 40, 45 or 50mm (minimum quantity 10 pc box).
- Other sizes of stay brakes, connectors, terminals, extensions (with minimum quantities).

Accessories



- Window handles with 7 mm square spindle and DK click movement (fasten with M5 screws).
- Screws sold separately. FFI has LVP30SST stainless steel wood screws 4x30mm, and other screws.

Excellent Service, Every Time

- In-stock products ship within 24 to 48 hours
- 10 year Winkhaus warranty against manufacturing defects
- Tested for corrosion-resistance to Greade 4 (of 5) EN 1670 standard
- Contact FFI for Winkhaus easyPilot Nordic catalog



Functional Fenestration Inc.
 Hawthorne, CA • Phone (800) 677-0228
www.fenestration.net • sales@fenestration.net