

Punch Press Cutting Machines for Multipoints

For clean cutting of multipoint hardware, FFI has punch press machines available in stock. Both manual or pneumatic power drive versions available.

Applications

Cutting machines in stock for Winkhaus multipoint locks.

Benefits

- For clean cutting of multipoint hardware
- Manual punch press for low-cost, low-volume manufacturing
- Punches faceplate countersink holes

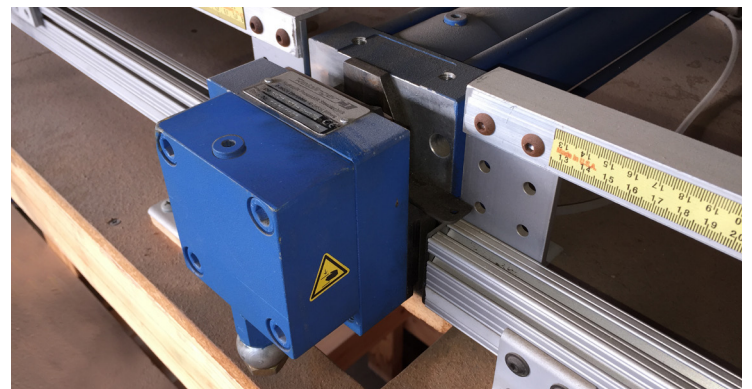
Features

Multi-Max Power Cutting Machine

- Hydropneumatic drive
- Eccentric cut
- CE safety mark
- Compact design
- Easy handling
- Good waste removal
- Precise, hardened guide brushes
- Quiet, almost burr-free cuts
- Patented technology
- Pneumatic punch press for efficient, high-volume manufacturing
- Accessories: foot control, scale slider
- Weight with accessories: 14kg (31lbs)



Multi-Max Power Cutting Machine



Multi-Max Power Cutting Machine installed

Manual Punch Cutting Machine

- Cost effective
- Eccentric cut
- CE safety mark
- Compact design
- Easy handling
- Pull operating lever down to 90° to operate
- Weight: 5kg (11 lbs)



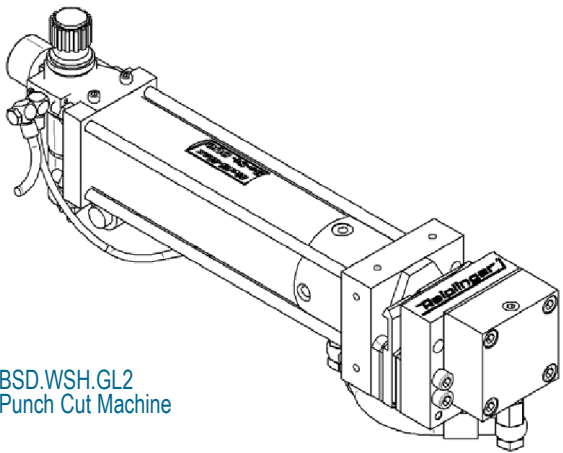
Manual Punch Cut Machine

For more options and details, see FFI's catalog.
Contact FFI at 800-677-0228 or sales@fenestration.net

Manual Punch

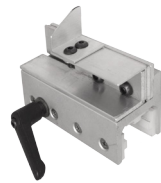
<p>1.</p>	<p>Part # 4908</p>	<p>Description Punch Cut Machine - Manual</p>
<p>2.</p>		

Hydropneumatic Punch



BSD.WSH.GL2
Punch Cut Machine

Part #	Description
BSD.WSH.GL2	Punch Cut Machine - Multi-Max Power
BSD.WSH.FC	Punch Cut - Foot Control accessory
BSD.WSH.S+S	Punch Cut - Scale Slider accessory



BSD.WSH.S+S
Punch Cut - Scale Slider



BSD.WSH.FC
Punch Cut - Foot Control

Contact FFI for detailed specifications and installation instructions.



Functional Fenestration Inc.
Hawthorne, CA • Phone (800) 677-0228
www.fenestration.net • sales@fenestration.net