

# Patio & Multi-Slide Hardware & Track



Sliding Patio Door Hardware	Pages
Sliding Door Locks by Winkhaus	B-2
FFI Handles for Winkhaus Locks	B-3 to B-6
GreenteQ Clearside System	B-7 to B-9
Multipoint Double-Hook Locks	B-10 to B-11
Touch Magnetic Catch	B-12 to B-13
Door Pulls	B-14
Patio Door Rollers, Anti-Derailer Lock	B-15
Low Profile Track	B-16
FFI FASTrack Systems	B-17 to B-18
FFI Interlock Drainage Kit	B-19
Panel Interlocks	B-20 to B-21

## WINKHAUS SLIDER DOOR LOCKS AND HANDLES

FFI exclusively offers Winkhaus hardware in North America; this lock and handle system features high quality materials and function.



Slider lock with the Miami handle

- Applications: all sash types (wood, clad, steel, aluminum, composite, PVC/vinyl)
- For interior or exterior doors; 1¾" (45mm) or 2¼" (57mm) thickness
- Stainless steel components include face-plate, hooks and strikes
- 90° cylinder thumbturn provides visual locking indicator
- Spring-loaded double hooks automatically latch behind strike plate
- Anti-slam feature prevents unintentional locking or damage during operation
- Hooks engage in opposing directions for security protection from lift-out
- Hooks are adjustable +/-2mm (in or out)
- Screws: purchase separately #7 or #8, 2 per lock, 4 per strike
- Winkhaus 2-year warranty against manufacturing defects
- A highly durable and reliable lock

<b>Lock materials</b>	Stainless steel face and hooks, galvanized steel body
<b>Faceplate dimensions</b>	20mm ( <sup>13</sup> / <sub>16</sub> " ) W, 370mm (14½" ) H, 2.5mm ( <sup>1</sup> / <sub>8</sub> " ) thick
<b>Spindle hub</b>	Offset for 8mm square spindle
<b>Lock backset</b>	28mm (1½" ), lock center: 92mm (3⅝" )
<b>Lock Center</b>	92mm (3⅝" )

---

### Slider lock - 304 grade stainless steel

---

**2896437** Winkhaus Slider Door Lock

---

### Strike plates - 304 grade stainless steel

---

**2896445** Flat strike plate - For wood doors

**1342942** U-Strike plate with 9mm return - For PVC or aluminum doors

**1320480** U-Strike plate with 20mm return - For PVC or aluminum doors

**Compatible with these handles - See following pages**



2896445

1342942

1320480



Miami Series  
Page B-4



Botticelli Series  
Page B-5



Fontana Series  
Page B-6

## DOOR HANDLES FOR WINKHAUS SLIDER LOCK

High quality brass decorative door handle trim sets for Winkhaus Slider Lock.



Miami

- Handles are sold in kits including everything needed: left-handed & right handed handles, spindle, allen wrench, gasket, screws, cylinder (when applicable) and instructions
- Ergonomic handle design avoids "knuckle busting"
- Escutcheon: 34mm (1 $\frac{3}{8}$ " ) W x 222mm (8 $\frac{7}{8}$ " ) L x 10.5mm (3 $\frac{5}{8}$ " ) proud, arched ends
- Material: solid brass
- Finishes: options vary by handle, see individual handle for details; PVD options recommended for durability and in corrosive environments

### Functions

1. Keyed entry: full cylinder with key and thumb-turn knob
2. Patio function: half cylinder with thumb-turn knob only
3. Inactive function: blank (dummy) plates with no cylinder



Botticelli

### Specifying your handle set

The following information is needed for a fast quote:

1. Handle style
2. Handle finish
3. Function
4. Handing
5. Door thickness

See next pages for part numbers, descriptions and details.

### Eclipse™ 90° Cylinder features

- The Winkhaus Slider Lock requires a Eclipse™ 90° Cylinder. All handle sets include a cylinder as appropriate (with screw, collar, 2 keys & needle tool).
- Cylinder has 90° locking turn. Vertical position is unlocked, horizontal position is locked. (Cylinder knobs pictured are shown vertical, unlocked)
- Cylinders are "Schlage C" re-keyable. Keyed-alike cylinders are available.
- Cylinders are included in handle sets, see next pages for part codes.



Fontana

**Cylinders are for 2 $\frac{1}{4}$ " (57mm) or 1 $\frac{3}{4}$ " (45mm) thick doors, with lock centered in stile**

<b>35/30mm full cylinder</b>	key + thumb-turn knob	for 2 $\frac{1}{4}$ " (57mm) doors
<b>00/30mm half cylinder</b>	thumb-turn knob only	for 2 $\frac{1}{4}$ " (57mm) doors
<b>30/20mm full cylinder</b>	key + thumb-turn knob	for 1 $\frac{3}{4}$ " (45mm) doors
<b>00/20mm half cylinder</b>	thumb-turn knob only	for 1 $\frac{3}{4}$ " (45mm) doors

**Full (keyed) cylinder faces are in 3 finishes, included with handle sets:**

<b>Dark Bronze</b>	For handles in Espresso 743, ORB 613, PDV bronze 739, black 622, 631
<b>Bright Brass</b>	For handles in antique brass 609, Polished brass 723 or 724
<b>Nickel</b>	For handles in Satin nickel 748, PVD Ultra steel 748, White 714





## MIAMI - DOOR HANDLE SETS FOR WINKHAUS SLIDER LOCK

Material: Solid Brass

These handles and cylinders are sold in complete kits, which include:

- Handle & plate sets (Left or right-handed)
- Cylinder (when applicable)
- Spindle
- Screws
- Foam gasket
- Allen wrench
- Instructions

FFI Miami handles feature easy assembly and PVD corrosion resistant finishes, recommend for durability and in corrosive environments..

Handing (right or left) is which direction the door slides when viewed from the exterior.

Warranty: 5 Years against manufacturing defects. For PVD finishes (recommended for coastal applications), limited lifetime warranty (effectively 10 years) against functional failure due to corrosion.



Miami	Door Thickness	Cylinder	Handing	Flat Black 622	PVD Bright Brass 723	PVD Bronze 739	PVD Satin Nickel 748
Keyed	2¼"	35/30	Left	<a href="#">MI1065.KL.622</a>	<a href="#">MI1065.KL.723</a>	<a href="#">MI1065.KL.739</a>	<a href="#">MI1065.KL.748</a>
	1¾"	30/20	Left	<a href="#">MI3065.KL.622</a>	<a href="#">MI3065.KL.723</a>	<a href="#">MI3065.KL.739</a>	<a href="#">MI3065.KL.748</a>
Patio	2¼"	00/30	Left	<a href="#">MI1065.PL.622</a>	<a href="#">MI1065.PL.723</a>	<a href="#">MI1065.PL.739</a>	<a href="#">MI1065.PL.748</a>
	1¾"	00/20	Left	<a href="#">MI3065.PL.622</a>	<a href="#">MI3065.PL.723</a>	<a href="#">MI3065.PL.739</a>	<a href="#">MI3065.PL.748</a>
Inactive	2¼"	None	Left	<a href="#">MI1065.IL.622</a>	<a href="#">MI1065.IL.723</a>	<a href="#">MI1065.IL.739</a>	<a href="#">MI1065.IL.748</a>
	1¾"	None	Left	<a href="#">MI3065.IL.622</a>	<a href="#">MI3065.IL.723</a>	<a href="#">MI3065.IL.739</a>	<a href="#">MI3065.IL.748</a>
Keyed	2¼"	35/30	Right	<a href="#">MI1065.KR.622</a>	<a href="#">MI1065.KR.723</a>	<a href="#">MI1065.KR.739</a>	<a href="#">MI1065.KR.748</a>
	1¾"	30/20	Right	<a href="#">MI3065.KR.622</a>	<a href="#">MI3065.KR.723</a>	<a href="#">MI3065.KR.739</a>	<a href="#">MI3065.KR.748</a>
Patio	2¼"	00/30	Right	<a href="#">MI1065.PR.622</a>	<a href="#">MI1065.PR.723</a>	<a href="#">MI1065.PR.739</a>	<a href="#">MI1065.PR.748</a>
	1¾"	00/20	Right	<a href="#">MI3065.PR.622</a>	<a href="#">MI3065.PR.723</a>	<a href="#">MI3065.PR.739</a>	<a href="#">MI3065.PR.748</a>
Inactive	2¼"	None	Right	<a href="#">MI1065.IR.622</a>	<a href="#">MI1065.IR.723</a>	<a href="#">MI1065.IR.739</a>	<a href="#">MI1065.IR.748</a>
	1¾"	None	Right	<a href="#">MI3065.IR.622</a>	<a href="#">MI3065.IR.723</a>	<a href="#">MI3065.IR.739</a>	<a href="#">MI3065.IR.748</a>



Flat Black



PVD Bright Brass



PVD Bronze



PVD Satin Nickel



## BOTTICELLI - DOOR HANDLE SETS FOR WINKHAUS SLIDER LOCK

Material: Solid Brass

These handles and cylinders are sold in complete kits, which include:

- Handle & plate sets (Left or right-handed)
- Cylinder (when applicable)
- Spindle
- Screws
- Foam gasket
- Allen wrench
- Instructions

FFI Botticelli handles feature easy assembly and PVD corrosion resistant finishes, recommend for durability and in corrosive environments..

Handing (right or left) is which direction the door slides when viewed from the exterior.

Warranty: 5 Years against manufacturing defects. For PVD finishes (recommended for coastal applications), limited lifetime warranty (effectively 10 years) against functional failure due to corrosion.



Botticelli	Door Thickness	Cylinder	Handing	Antique Brass 609	Oil Rubbed Brass 613	Flat Black 622	PVD Bright Brass 723	PVD Bronze 739	PVD Satin Nickel 748
Keyed	2¼"	35/30	Left	<b>B1065.KL.609</b>	<b>B1065.KL.613</b>	<b>B1065.KL.622</b>	<b>B1065.KL.723</b>	<b>B1065.KL.739</b>	<b>B1065.KL.748</b>
	1¾"	30/20	Left	<b>B3065.KL.609</b>	<b>B3065.KL.613</b>	<b>B3065.KL.622</b>	<b>B3065.KL.723</b>	<b>B3065.KL.739</b>	<b>B3065.KL.748</b>
Patio	2¼"	00/30	Left	<b>B1065.PL.609</b>	<b>B1065.PL.613</b>	<b>B1065.PL.622</b>	<b>B1065.PL.723</b>	<b>B1065.PL.739</b>	<b>B1065.PL.748</b>
	1¾"	00/20	Left	<b>B3065.PL.609</b>	<b>B3065.PL.613</b>	<b>B3065.PL.622</b>	<b>B3065.PL.723</b>	<b>B3065.PL.739</b>	<b>B3065.PL.748</b>
Inactive	2¼"	None	Left	<b>B1065.IL.609</b>	<b>B1065.IL.613</b>	<b>B1065.IL.622</b>	<b>B1065.IL.723</b>	<b>B1065.IL.739</b>	<b>B1065.IL.748</b>
	1¾"	None	Left	<b>B3065.IL.609</b>	<b>B3065.IL.613</b>	<b>B3065.IL.622</b>	<b>B3065.IL.723</b>	<b>B3065.IL.739</b>	<b>B3065.IL.748</b>
Keyed	2¼"	35/30	Right	<b>B1065.KR.609</b>	<b>B1065.KR.613</b>	<b>B1065.KR.622</b>	<b>B1065.KR.723</b>	<b>B1065.KR.739</b>	<b>B1065.KR.748</b>
	1¾"	30/20	Right	<b>B3065.KR.609</b>	<b>B3065.KR.613</b>	<b>B3065.KR.622</b>	<b>B3065.KR.723</b>	<b>B3065.KR.739</b>	<b>B3065.KR.748</b>
Patio	2¼"	00/30	Right	<b>B1065.PR.609</b>	<b>B1065.PR.613</b>	<b>B1065.PR.622</b>	<b>B1065.PR.723</b>	<b>B1065.PR.739</b>	<b>B1065.PR.748</b>
	1¾"	00/20	Right	<b>B3065.PR.609</b>	<b>B3065.PR.613</b>	<b>B3065.PR.622</b>	<b>B3065.PR.723</b>	<b>B3065.PR.739</b>	<b>B3065.PR.748</b>
Inactive	2¼"	None	Right	<b>B1065.IR.609</b>	<b>B1065.IR.613</b>	<b>B1065.IR.622</b>	<b>B1065.IR.723</b>	<b>B1065.IR.739</b>	<b>B1065.IR.748</b>
	1¾"	None	Right	<b>B3065.IR.609</b>	<b>B3065.IR.613</b>	<b>B3065.IR.622</b>	<b>B3065.IR.723</b>	<b>B3065.IR.739</b>	<b>B3065.IR.748</b>



PVD Bronze



Oil Rubbed Brass



Flat Black



Antique Brass



PVD Satin Nickel



PVD Bright Brass

## FONTANA DOOR HANDLE SETS FOR WINKHAUS SLIDER LOCK

Material: Solid Brass

These handles and cylinders are sold in complete kits, which include:

- Handle & plate sets (Left or right-handed)
- Cylinder (when applicable)
- Spindle
- Screws
- Foam gasket
- Allen wrench
- Instructions

FFI Fontana handles feature easy assembly and PVD corrosion resistant finishes, recommend for durability and in corrosive environments..

Handing (right or left) is which direction the door slides when viewed from the exterior.

Warranty: 5 Years against manufacturing defects. For PVD finishes (recommended for coastal applications), limited lifetime warranty (effectively 10 years) against functional failure due to corrosion.



Fontana	Door Thickness	Cylinder	Handing	Antique Brass 609	Oil Rubbed Brass 613	Flat Black 622	PVD Bright Brass 723	PVD Bronze 739	PVD Satin Nickel 748
Keyed	2¼"	35/30	Left	<a href="#">F1065.KL.609</a>	<a href="#">F1065.KL.613</a>	<a href="#">F1065.KL.622</a>	<a href="#">F1065.KL.723</a>	<a href="#">F1065.KL.739</a>	<a href="#">F1065.KL.748</a>
	1¾"	30/20	Left	<a href="#">F3065.KL.609</a>	<a href="#">F3065.KL.613</a>	<a href="#">F3065.KL.622</a>	<a href="#">F3065.KL.723</a>	<a href="#">F3065.KL.739</a>	<a href="#">F3065.KL.748</a>
Patio	2¼"	00/30	Left	<a href="#">F1065.PL.609</a>	<a href="#">F1065.PL.613</a>	<a href="#">F1065.PL.622</a>	<a href="#">F1065.PL.723</a>	<a href="#">F1065.PL.739</a>	<a href="#">F1065.PL.748</a>
	1¾"	00/20	Left	<a href="#">F3065.PL.609</a>	<a href="#">F3065.PL.613</a>	<a href="#">F3065.PL.622</a>	<a href="#">F3065.PL.723</a>	<a href="#">F3065.PL.739</a>	<a href="#">F3065.PL.748</a>
Inactive	2¼"	None	Left	<a href="#">F1065.IL.609</a>	<a href="#">F1065.IL.613</a>	<a href="#">F1065.IL.622</a>	<a href="#">F1065.IL.723</a>	<a href="#">F1065.IL.739</a>	<a href="#">F1065.IL.748</a>
	1¾"	None	Left	<a href="#">F3065.IL.609</a>	<a href="#">F3065.IL.613</a>	<a href="#">F3065.IL.622</a>	<a href="#">F3065.IL.723</a>	<a href="#">F3065.IL.739</a>	<a href="#">F3065.IL.748</a>
Keyed	2¼"	35/30	Right	<a href="#">F1065.KR.609</a>	<a href="#">F1065.KR.613</a>	<a href="#">F1065.KR.622</a>	<a href="#">F1065.KR.723</a>	<a href="#">F1065.KR.739</a>	<a href="#">F1065.KR.748</a>
	1¾"	30/20	Right	<a href="#">F3065.KR.609</a>	<a href="#">F3065.KR.613</a>	<a href="#">F3065.KR.622</a>	<a href="#">F3065.KR.723</a>	<a href="#">F3065.KR.739</a>	<a href="#">F3065.KR.748</a>
Patio	2¼"	00/30	Right	<a href="#">F1065.PR.609</a>	<a href="#">F1065.PR.613</a>	<a href="#">F1065.PR.622</a>	<a href="#">F1065.PR.723</a>	<a href="#">F1065.PR.739</a>	<a href="#">F1065.PR.748</a>
	1¾"	00/20	Right	<a href="#">F3065.PR.609</a>	<a href="#">F3065.PR.613</a>	<a href="#">F3065.PR.622</a>	<a href="#">F3065.PR.723</a>	<a href="#">F3065.PR.739</a>	<a href="#">F3065.PR.748</a>
Inactive	2¼"	None	Right	<a href="#">F1065.IR.609</a>	<a href="#">F1065.IR.613</a>	<a href="#">F1065.IR.622</a>	<a href="#">F1065.IR.723</a>	<a href="#">F1065.IR.739</a>	<a href="#">F1065.IR.748</a>
	1¾"	None	Right	<a href="#">F3065.IR.609</a>	<a href="#">F3065.IR.613</a>	<a href="#">F3065.IR.622</a>	<a href="#">F3065.IR.723</a>	<a href="#">F3065.IR.739</a>	<a href="#">F3065.IR.748</a>



Antique Brass



Oil Rubbed Brass



Flat Black



PVD Bright Brass



PVD Bronze



PVD Satin Nickel

## GREENTEQ CLEARSLIDE SLIDING DOOR LOCK & HANDLES

FFI is the exclusive North American distributor for Greenteq hardware by VBH (GB) Ltd.

- Applications: Sliding, inline patio doors
- Compatible with: Wood and PVCu inline sashes (strikes available; ask for profile related advice)
- Materials: 430 stainless steel lock face & strikes
- Warranty: 10 years
- Strike options: Can be used in any material
- Compatible with europrofile cylinders
- Compatible handles: Alpha Patio P-handles, Coastline stainless steel handles (or most any D-shaped patio handle with 7mm spindle)

---

### Lock Characteristics

- 8 hook locking points (4 hook version also available)
- 2 anti-lift pins
- Lock face 1720mm x 16mm; square ends, u-channel shape
- Center 92mm
- Backset 20mm
- Mis-operation device included
- Corrosion testing: Standard 1670 Class 5 tested (480 hours)
- Tested to PAS24:2016

---

### Clearslide Door Lock & Strikes

<b>2QSD0001C</b>	Clearslide 8-Point Patio Lock
<b>2QSD0012C</b>	Strike for wood sash or Deceuninck Striker 24/Rehau Agia profile, face 1758mm x 12mm
<b>2QSD0013C</b>	Strike for wood sash or Kommerling PremiLine profile, face 1758mm x 16mm
<b>2QSD0015</b>	Strike for PVCu or wood (1758mm x 16mm)
<b>2QSD0016</b>	Strike for PVCu or wood (1758mm x 16mm)



## ALPHA PATIO DOOR HANDLES

FFI is the exclusive North American distributor for GreenteQ hardware by VBH (GB) Ltd.



- Applications: Sliding, inline patio doors
- Compatible with: GreenteQ Clearslide and Yale locks
- Door thickness: 40-70mm
- Reversible handing
- Available with profile cylinder hole or without (plain plate)
- Available with latching lever or without (pull only)
- Blank external backplate available (use when exterior pull handle is not needed)
- Warranty: 10 years



Part #	Type	Finish	
<b>2QHB2001</b>	Handle & Plate with Lever & Cylinder hole	White RAL 9016	
<b>2QHB2002</b>		Enduro Steel	
<b>2QHB2003</b>		Antique Black	
<b>2QHB2004</b>		Black RAL 9005	
<b>2QHB2005</b>		PVD Gold	
<b>2QHB2006</b>		Polished Chrome	
<b>2QHB2007</b>		Satin Chrome	
<b>2QHB2008</b>		Smokey Chrome	
<b>2QHB2009</b>		Anthracite Grey RAL 7016	
<b>2QHB2021</b>	Handle & Plate with Lever	White RAL 9016	
<b>2QHB2024</b>		Black RAL 9005	
<b>2QHB2025</b>		PVD Gold	
<b>2QHB2026</b>		Polished Chrome	
<b>2QHB2027</b>		Satin Chrome	
<b>2QHB2028</b>		Smokey Chrome	
<b>2QHB2031</b>		Handle & Plate (pull only)	White RAL 9016
<b>2QHB2034</b>			Black RAL 9005
<b>2QHB2035</b>	PVD Gold		
<b>2QHB2036</b>	Polished Chrome		
<b>2QHB2037</b>	Satin Chrome		
<b>2QHB2038</b>	Smokey Chrome		
<b>2QHB2041</b>	Blank Exterior Backplate (no pull handle)		White RAL 9016
<b>2QHB2044</b>			Black RAL 9005
<b>2QHB2046</b>		Polished Chrome	
<b>2QHB2047</b>		Satin Chrome	



## COASTLINE PATIO DOOR HANDLES IN STAINLESS STEEL

FFI is the exclusive North American distributor for GreenteQ hardware by VBH (GB) Ltd.



- Applications: Sliding, inline patio doors
- Compatible with: GreenteQ Clearslide and Yale locks
- Door thickness: 42-71mm
- Reversible handing
- Available with profile cylinder hole or without (plain plate)
- Available with latching lever or without (pull only)
- Blank external backplate available (use when exterior pull handle is not needed)
- Warranty: 25 years

Part #	Type	Finish
<b>2QHB2805</b>	Handle & Plate with Lever & Cylinder hole	Stainless steel, PVD Gold
<b>2QHB2807</b>		Stainless steel, Polished
<b>2QHB2809</b>		Stainless steel, Brushed
<b>2QHB2825</b>	Handle & Plate with Lever	Stainless steel, PVD Gold
<b>2QHB2827</b>		Stainless steel, Polished
<b>2QHB2829</b>		Stainless steel, Brushed
<b>2QHB2835</b>	Handle & Plate (pull only)	Stainless steel, PVD Gold
<b>2QHB2837</b>		Stainless steel, Polished
<b>2QHB2839</b>		Stainless steel, Brushed
<b>2QHB2845</b>	Blank Exterior Backplate (no pull handle)	Stainless steel, PVD Gold
<b>2QHB2847</b>		Stainless steel, Polished
<b>2QHB2849</b>		Stainless steel, Brushed
<b>2QHB0822</b>	Spring Cassette for Coastline Lever Handle (Pair)	



## POSEIDON® UNITOP MULTIPOINT LOCKS

Patented Poseidon lock boxes have two opposing hooks that anchor the door in place and act in sync with deadbolt and latch.



Poseidon lever driven lock (50mm backset)

- For wood, PVC, composite material or aluminum/wood doors
- All locking points are powered to provide superior alignment
- Pressed steel Poseidon hooks have 7mm holding power on the strike
- Fits standard North American door heights (80" or 96")
- Three extensions accommodate door heights up to 10'10"
- Extra Poseidon lock boxes can be added with extensions
- Many configuration options; removable faceplate
- Interface of lock with strike creates 1/4" or 5/16" gap between door and jamb; an astragal or weatherstrip will be needed to cover the gap
- ACTIVEAGE finish offers more than 2,000 hour salt fog corrosion resistance



W99800.00.15

W99800.00.16



W99620.08.13

W99620.08.17



W99630.00.13

W99622.08.57

<b>Lock material</b>	Steel, silver finish
<b>Maximum height</b>	2500mm (8' 2") using top terminal extension
<b>Minimum height</b>	1800mm (5' 11") by cutting lockface
<b>Lock dimensions</b>	16mm (5/8") W x 2400mm (94 1/2") H
<b>Handle height</b>	Set at 1050mm (41 5/16")
<b>Maximum handle height</b>	1150mm (45 5/16") with bottom terminal + extension
<b>Minimum handle height</b>	948mm (37 5/16") by cutting lock to lower overall height
<b>Spindle</b>	8mm (5/16") on the square; 92mm (3 3/4") centers
<b>Adjustable strike</b>	18 x 186 x 8.5mm (45/64" x 7 21/64" x 1 1/32")
<b>Lock forend</b>	Width: 16mm (5/8"), thickness: 3mm (1/8")
<b>Backsets (Unitop)</b>	25, 30, 35, 40, 45, 50, 55mm (some are special order)

**Poseidon Unitop (lever driven) locks** - Requires 3.5x30mm screws, not included

Part #	Description	Backset	Finish
<a href="#">W21220.45.13</a>	Poseidon lever-driven lock	45mm	Silver
<a href="#">W21220.55.13</a>	Poseidon lever-driven lock	50mm	Silver
<a href="#">A40486.00.02</a>	Terminal for Poseidon (See Catalog D for more options)		

**Poseidon Unitop extensions** - Requires (5) 3.5x30mm screws, not included

Part #	Description	Finish
<a href="#">W99800.00.15</a>	Extension upper/lower with Poseidon box	Silver
<a href="#">W99800.00.16</a>	Extension upper/lower without Poseidon box	Silver

**Adjustable strikes** - Requires (4) 4x30mm screws, not included

Part #	Description	Air Gap	Finish	
<a href="#">W99610.05.13</a>	Timber U-18 strike	12mm	Silver	
<a href="#">W99610.01.13</a>	Timber U-18 strike	4mm	Silver	
<a href="#">W99630.00.13</a>	PVC U-30 strike	Non-handed	4mm	Silver
<a href="#">W99620.08.13</a>	Adjustable pocket strike	Flush	Silver	
<a href="#">W99620.08.58</a>	Fixed strike for 2 1/4" door	Non-handed	Flush	Silver
<a href="#">W99621.08.57</a>	Fixed strike for 2 1/4" door	Right-handed	Flush	Silver
<a href="#">W99622.08.57</a>	Fixed strike for 2 1/4" door	Left-handed	Flush	Silver
<a href="#">W99621.08.45</a>	Fixed strike for 1 3/4" door	Right-handed	Flush	Silver
<a href="#">W99622.08.45</a>	Fixed strike for 1 3/4" door	Left-handed	Flush	Silver

### Shootbolt Terminals for Poseidon Locks

Part#	Length	Throw	Faceplate	Position
<b>A40486.00.01</b>	180mm	15mm	16mm	Upper
<b>A40486.00.02</b>	120mm	15mm	16mm	Lower
<b>W01690.00.01*</b>	130mm	20mm	16mm	Both

\*Recommended for hurricane testing.



A40486.00.01

### HANDLES FOR POSEIDON MULTIPOINT LOCKS

See Decorative Hardware catalog for full product offering



**Tokyo**

<b>Material</b>	Stainless Steel 304
<b>Handing</b>	Left or Right
<b>Cylinder Cutout</b>	Available
<b>Finish</b>	Satin Silver Flat Black Split Finishes available



**Sunrise**

<b>Material</b>	Stainless Steel 304
<b>Handing</b>	Left or Right
<b>Cylinder Cutout</b>	Available
<b>Finish</b>	Satin Silver Flat Black Oil-rubbed Bronze Split Finishes available



**Crest**

<b>Material</b>	Stainless Steel 304
<b>Handing</b>	Left or Right
<b>Cylinder Cutout</b>	Available
<b>Finish</b>	Satin Silver Flat Black Oil-rubbed Bronze Split Finishes available



**Summer**

<b>Material</b>	Stainless Steel 304
<b>Handing</b>	Left or Right
<b>Cylinder Cutout</b>	Available
<b>Finish</b>	Satin Silver Flat Black Split Finishes available



Opening a door with just a touch.

## TOUCH® MAGNETIC CATCH FOR SCREEN & INTERIOR DOORS

Patented contactless adjustable magnetic door catch. Minimal design with no visible screws.

- For wood, PVC, composite material or aluminum/wood doors
- Catching force is adjustable to meet almost all applications
- Minimal design with no visible screws
- Adjustable magnets retract when door is opened

**Material** Steel  
**Dimensions** 18mm (¾") W x 196mm (7¾") H

### Touch Catch

Part #	Finish
<b>B01120.30.78</b>	Grey
<b>B01120.30.93</b>	Black
<b>B01120.30.FM</b>	Matte White

### Forend Cover for Touch

Part #	Finish
<b>B01120.31.34</b>	Matte Chromium Plated
<b>B01120.31.93</b>	Black
<b>B01120.31.FM</b>	Matte White

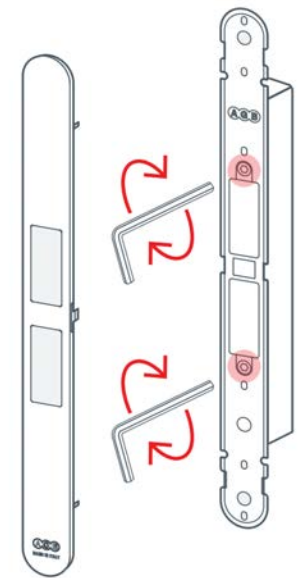
### Strike for Touch - For Wood Frame

Part #	Finish
<b>B02404.31.78</b>	Grey
<b>B02404.31.93</b>	Black
<b>B02404.31.FM</b>	White

### Strike for Touch - For Aluminum Frame

Part #	Finish
<b>B02404.30.78</b>	Grey
<b>B02404.30.93</b>	Black
<b>B02404.30.FM</b>	White

Adjustable open/closing force with included allen wrench.



Forend Cover

Touch Catch



**B01120.31.34**  
Forend Cover  
Matte Chromium



**B01120.30.78**  
Touch Catch - Grey



**B02404.30.78**  
Strike for  
Aluminum  
frame - Grey



**B02404.31.78**  
Strike for  
Wood frame -  
Grey



## TOUCH & CLOSE® MAGNETIC LOCK WITH CATCH

Patented contactless adjustable magnetic door catch. Minimal design with no visible screws.

- For wood, PVC, composite material or aluminum/wood doors
- Catching force is adjustable to meet almost all applications
- Minimal design with no visible screws
- Adjustable magnets retract when door is opened

**Material** Steel  
**Dimensions** 18mm (¾") W x 196mm (7¾") H

### Touch & Close Lock

Part #	Description
<b>B06502.50.93</b>	50mm, WC, Black
<b>B06503.50.93</b>	50mm, Cylinder, Black

### Forend Cover for Touch & Close

Part #	Finish
<b>B01120.33.93</b>	Black

### Strike for Touch - For Wood Frame

Part #	Finish
<b>B02404.31.78</b>	Grey
<b>B02404.31.93</b>	Black
<b>B02404.31.FM</b>	White

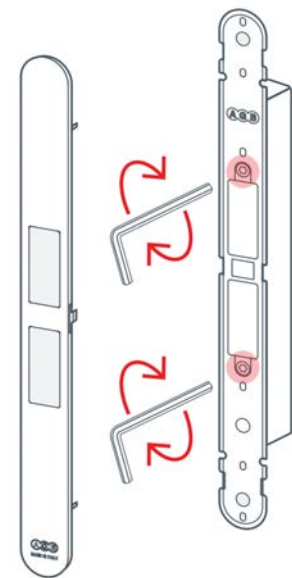
### Two Strikes for Wood Frame

Part #	Finish
<b>B02404.36.78</b>	Grey
<b>B02404.36.93</b>	Black
<b>B02404.36.FM</b>	Matte White

### Strike for Touch - For Aluminum Frame

Part #	Finish
<b>B02404.30.78</b>	Grey
<b>B02404.30.93</b>	Black
<b>B02404.30.FM</b>	White

Adjustable open/closing force with included allen wrench.



Forend Cover

Touch Catch



B02404.30.78  
Strike for Aluminum frame - Grey



B02404.31.78  
Strike for Wood frame - Grey



LS400.03.630 LS400.03.731 LS400.03.743

## CASCADE STAINLESS STEEL SHALLOW FLUSH PULL

Solid 304 grade stainless steel face mount door pulls for pocket doors & room dividers. Matches Cascade lift slide handle plates. Multiple finishes available.

- PVD protected 304 grade Stainless Steel
- Works with Cascade series lift slide handles
- Material: 304 grade stainless steel, Finish: satin
- Escutcheon: 3mm (1/8") thick
- Shallow pull dimensions: 2" (50mm) W x 7" (178mm) H 5/8" (16mm) D
- Routing depth: 13mm
- 4 Philips head stainless steel screws included

Item #	Material	Finish
<b>LS400.03.630</b>	SST 304	Satin Stainless (PVD protected)
<b>LS400.03.731</b>	SST 304	Satin Brass (PVD protected)
<b>LS400.03.743</b>	SST 304	Espresso (PVD protected)

## Shallow Pulls



LS100.22.613 LS100.22.619 LS100.22.721

## FFI SOLID BRASS FLUSH SLIDING DOOR PULLS

High quality solid brass door pulls for pocket doors & room dividers. Multiple styles and finishes available in both face mount and rear mount installations.

- Solid brass narrow profile construction, face mount or rear mount available
- Works with modern or classical designed projects
- Multiple finishes available including: Satin nickel, painted dark bronze, oil-rubbed bronze, polished brass or unfinished brass
- Dimensions: 1 7/16" (36mm) W x 5 1/8" (130mm) H x 3/8" (9.5mm) D
- Wood screws included with face mount pulls

## Face Mount Pulls

### Shallow pulls

<b>LS100.22.619</b>	Satin Nickel
<b>LS100.22.690</b>	Painted Dark Bronze
<b>LS100.22.613</b>	Oil-rubbed Bronze
<b>LS100.22.721</b>	Unfinished brass
<b>LS100.22.605</b>	Polished lacquered



LAR3000019  
Stainless Steel / Nylon Wheels



Adjust the roller using a standard M6 Allen Wrench

## FFI TWIN ROLLER

430 grade stainless steel two-wheel rollers

- Applications: Multi-slide doors
- Compatible with any FFI lift slide track, including FASTrack
- Delrin wheels carry up to 660 lb maximum per door (using 2 rollers)
- Durable ball-bearings
- Height adjustment of up to 6mm (+/- 3mm) at each end of the door panel
- Easy installation
- Screws recommended: #8 Philips flat head, stainless steel, length and thread to suit material (not included)

**FFI Twin roller** - Order 2 per door; use with 5mm diameter lift slide track

Part #	Casing	Wheel	Weight Capacity*
LAR3000019	430 Stainless Steel	Delrin	660 lbs

\* Maximum door weight using two rollers

## FFI 1-WHEEL ROLLER

304 grade stainless steel single-wheel roller

- Applications: Multi-slide doors
- Compatible with any FFI lift slide track, including FASTrack
- Nylon wheels carry up to 220 lb maximum per door (using 2 rollers)
- Easy installation



LAR2500014  
Stainless Steel / Nylon Wheels

**FFI 1-Wheel roller** - Order 2 per door; use with 5mm diameter lift slide track

Part #	Casing	Wheel	Weight Capacity*
LAR2500014	304 Stainless Steel	Nylon	220 lbs

\* Maximum door weight using two rollers

## ANTI-DERAILER LOCK KIT - BOTTOM TRACK LOCK

Strength and security for sliding doors. Provides additional bottom track security locking point. Successfully used in door performance certification testing for hurricanes and high DPI.

- Two click positions, 9/16" & 3/4" for variable sill depths
- Compatible with FFI Signature Lift Slide

<b>Material</b>	304 grade Stainless Steel	
<b>Thickness</b>	4mm (3/16")	
<b>Track</b>	FASTrack	FASTrack Drainage
<b>Compatibility</b>	Low Profile Bottom Track	Climatech Threshold



Item #	Description	Material
<b>LLB.01.ASSM</b>	Anti-derailer lock kit, 47mm H, 9/16" & 3/4" throw	SST 304
	- Lock mechanism	- Access Grommet
	- Climatech Shim	- Strike Keep/Screws
	- Mounting Screws	- Allen Wrench
	(Machine & wood type)	
<b>LLB.01.DRL</b>	Optional accessory to install Allen key access grommet. Steel Drill bit size M, 7.5mm diameter	

## LOW PROFILE BOTTOM TRACK

Low-profile track, for minimal visual and physical interruption in the floor transition.



Dark Bronze Aluminum

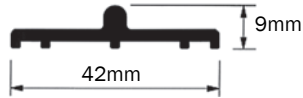


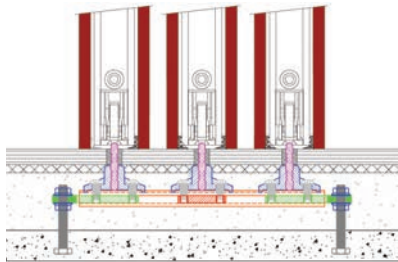
Clear anodized (silver) Aluminum

- Track has 5mm diameter, adapts to almost any arrangement
- FFI aluminum track is Made-in-USA, Class I anodized for high durability and lower corrosion risk
- Ask FFI for technical details

### Aluminum Low Bottom Track

<b>G00738.165.01D</b>	13'9" (4191mm)	Aluminum	Silver (clear) anodized
<b>G00738.165.02D</b>	13'9" (4191mm)	Aluminum	Dark Bronze (Black) anodized
<b>G00738.244.01D</b>	20'4" (6197mm)	Aluminum	Silver (clear) anodized
<b>G00738.244.02D</b>	20'4" (6197mm)	Aluminum	Dark Bronze (Black) anodized





## FFI FASTRACK SYSTEMS

FASTrack (Functional Adjustable System Track) for multiple sliding doors

### Advantages

- Fast and easy installation of multiple sliding door floor tracks.
- Adapts to variable field conditions using modular parts.
- Adjustable track spacing, adjustable height.
- A complete modular multi-track system, available in 8, 12 and 20 foot lengths.

### Characteristics

- Compatible with any door manufacturer panels; any weight capacity.
- Two-sided track blades: 5mm diameter for lift slide, 6mm diameter for patio door rollers.
- FASTrack is a low-profile track; use with FFI Anti-Derailer lock for performance and hurricane testing.
- Curved track installation is simple: the track bends by hand.
- Surface drainage: FASTrack can be assembled on slope up to 2 degrees for surface drainage; sub-floor drainage system is not supplied.
- One-year FFI warranty against manufacturing defects, on all components.
- Stainless steel & brass: 15-year warranty against corrosion failure.
- Choice of corrosion resistant SST/brass or Class I anodized aluminum systems; do not mix system parts.

#### SST/Brass System



#### FASTrack Stainless Steel (SST) & Brass System

<b>SL400.96.2B</b>	Blade	8' (2438mm)	SST 304 grade	
<b>SL400.144.2B</b>	Blade	12' (3657mm)	SST 304 grade	
<b>SL400.240.2B</b>	Blade	20' (6096mm)	SST 304 grade	
<b>SL404.96.721</b>	Bridge	8' (2438mm)	Brass	Plain (mill finish)
<b>SL404.BC20.721</b>	Bridge clips	20 pack	Brass	Plain (mill finish)
<b>SL404.TC50.721</b>	Track clips	50 pack	Brass	Plain (mill finish)
<b>SL404.NP10.721</b>	Nut plate connector	10 pack	Brass	Plain (mill finish)

#### Aluminum System



#### FASTrack Aluminum Class I Anodized System

<b>SL400.144.01</b>	Blade	144" length	Aluminum	Clear (Silver) Dark Bronze (Black)
<b>SL400.144.710</b>				
<b>SL400.252.01</b>	Blade	252" length	Aluminum	Clear (Silver) Dark Bronze (Black)
<b>SL400.252.710</b>				
<b>SL401.96.01</b>	Bridge	8' length	Aluminum	Clear (Silver)
<b>SL400.BCA.10</b>	10-pack			Pre-assembled Bridge Clip assembly
<b>SL400.TCA.10</b>	10-pack			Pre-assembled Bridge Clip assembly



Shown with Interlock Drainage Kit



New Snap-on hose fittings can be placed according to application.



New End Cap with lip to easily and securely stopper drainage track at each end



Pre-assembled Bridge-Clip assembly (left) and Track-Clip assembly (right) attach faster and easier.

## FFI FASTRACK DRAINAGE SYSTEM

FASTrack (Functional Adjustable System Track) for multiple sliding doors, with drainage to divert water from door openings.

### Advantages

- Fast and easy installation of multiple sliding door floor tracks
- Adjustable track spacing and adjustable height for laser level installations
- Efficient pre-assembled bridge-clips, quick-fit end caps and snap-on drainage fittings
- track-clips, and self-tapping stainless steel drainage tube fitting and custom drill bit

### Characteristics

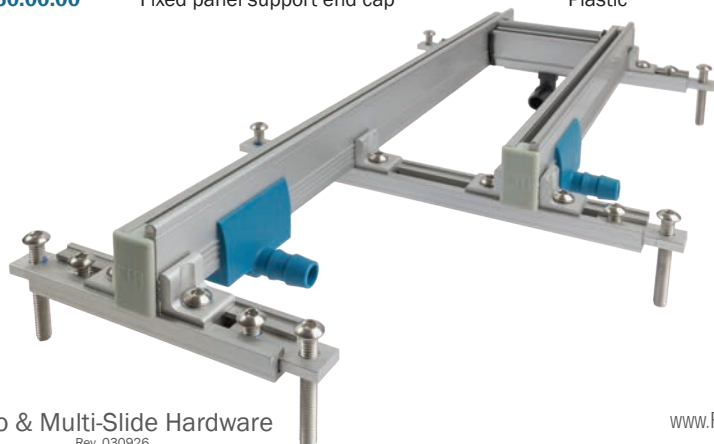
- Compatible with any door manufacturer panels up to any weight capacity
- Can be configured for pocket door and corner applications
- 5mm diameter for lift slide door rollers
- FASTrack is a low-profile track; use with FFI Anti-Derailer lock for performance and hurricane testing
- Multiple bottom and side ports for ½" ID tubing for fast drainage
- Reticulated foam filter keeps debris out of drainage lines
- Optional Interlock Drainage Kit available
- Corrosion resistant Class I anodized aluminum system
- 5-year FFI warranty against manufacturing defects, on all components.

#### FASTrack Drainage System - Aluminum

<b>SL406.252.01</b>	Drain channel infill	252" length	Clear (Silver)
<b>SL406.252.710</b>			Dark Bronze (Black)
<b>SL408.144.628</b>	Track blade/drain	144" length	Clear (Silver)
<b>SL408.144.710</b>			Dark Bronze (Black)
<b>SL408.252.628</b>	Track blade/drain	252" length	Clear (Silver)
<b>SL408.252.710</b>			Dark Bronze (Black)
<b>SL401.96.01</b>	FASTrack Bridge	8' length	Clear (Silver)

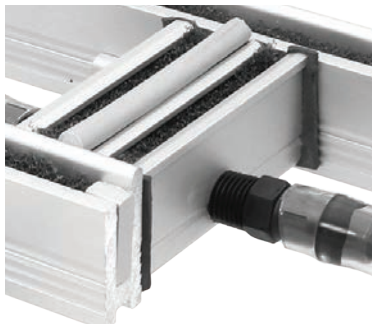
#### Connectors, Clips and Accessories

<b>SL406.FOAM.02</b>	UV-protected debris filter	118" length	Foam
<b>SL408.FT.SN10</b>	Snap-on drain fitting	½" ID tube, 10-pack	Polypropylene
<b>SL407.DR.050</b>	½" ID Drain hose	50' roll	Vinyl
<b>SL406.FT.14</b>	T-type fitting	½" ID, 10-pack	Polypropylene
<b>SL406.FT.13</b>	Elbow fitting	½" ID, 10-pack	Polypropylene
<b>SL406.FT.12</b>	Straight fitting	½" ID, 10-pack	Polypropylene
<b>SL408.FT.C10</b>	End-caps	10-pack	Polypropylene
<b>SL406.PLUG.10</b>	Drain insert/plug	10-pack	
<b>SL400.BCA.10</b>	Bridge Clip Assembly	10-pack	Aluminum
<b>SL408.TCA.10</b>	Track Clip Assembly	10-pack	Aluminum
<b>G00760.00.04</b>	Fixed panel support	118" length	Plastic
<b>G00760.00.00</b>	Fixed panel support end cap		Plastic





Interlock Drainage Kit shown with FASTrack Drainage System



Interlock Drainage Kit offers drainage for both interior and exterior

## FFI INTERLOCK DRAINAGE KIT

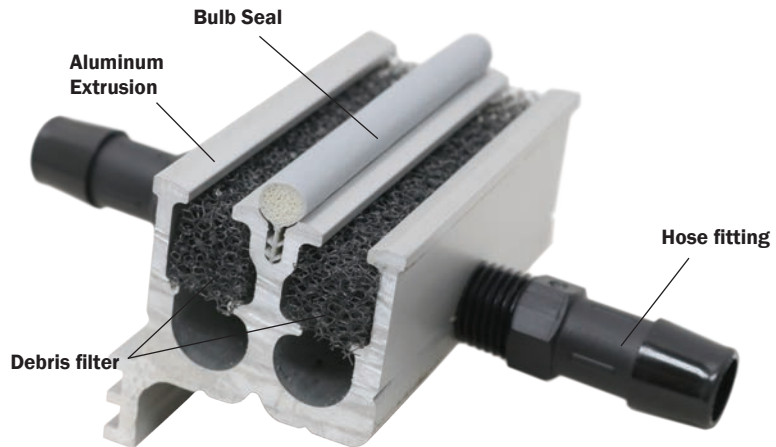
Interlock Drainage Kit for single or multi-panel lift slide doors. A flexible solution to water diversion from your door opening.

### Features

- Fast and easy installation of multiple sliding door floor tracks
- Provides both interior and exterior drainage
- Durable and corrosion resistant Class I anodized aluminum extrusion
- Multiple output ports for ½" ID tubing for fast drainage
- Reticulated foam filter keeps debris out of drainage lines
- For use with FFI FASTrack systems
- Compatible with many in-floor track systems and interlocks
- Bottom and side ports for ½" ID tubing for fast drainage

### Interlock Drainage System

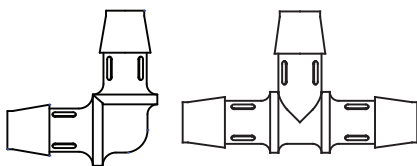
<b>SL405.02.KIT</b>	Interlock Drainage Kit, Clear (Silver)	36" cuttable length
<b>SL405.07.KIT</b>	Interlock Drainage Kit, Dark Bronze (Black)	36" cuttable length



**SL405.02.KIT**

### Tubing, connectors and replacement parts sold separately

<b>SL407.DR.050</b>	Clear tubing	50ft roll
<b>SL406.FT.13</b>	Elbow fitting	10 pack
<b>SL406.FT.14</b>	Tee fitting	10 pack
<b>SL405.36.SEAL</b>	Bulb Seal, Grey	36" length
<b>SL405.36.SEAL.B</b>	Bulb Seal, Black	36" length
<b>SL405.04.SEAL</b>	End Gasket	Strip of 12
<b>SL405.02.FOAM</b>	UV-protected debris filter	72" length



SL406.FT.13

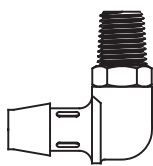
SL406.FT.14



SL406.FT.12



SL406.FT.10



SL406.FT.11



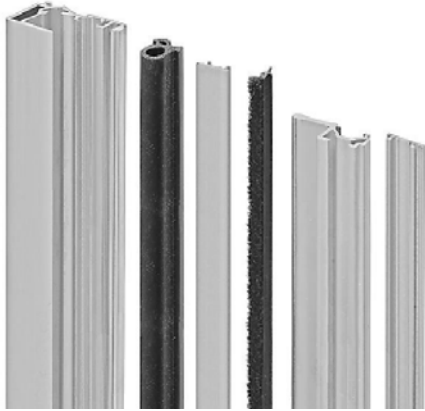
Part # SL405.36.SEAL  
Bulb Seal (36" length)



Part # SL405.02.FOAM  
Debris filter (72" length)



Part # SL407.DR.050  
½"ID Clear Tubing (50ft roll)



Clear anodized (silver) shown

## UNI-V: A BETTER INTERLOCK FOR SLIDING DOORS

An engineered, high performance solution for sliding panels.

- Easy panel alignment with wide milling tolerances
- For sliding panels with 1½" (28mm) panel gap
- Full panel height provides additional strength between panels for hurricane testing
- Saves assembly time with simple installation, comes predrilled for 3.5 x 30mm (#6 x 1¼") screws (not included)
- Eliminates contact points between the sash and frame for silent operation
- Kit includes EPDM bulb gasket, brush seal and two aluminum profiles, one for each panel
- Includes screw cover to conceal screws for a clean look
- Aluminum finished with Class II anodizing
- Ask FFI for technical details
- 28mm nominal gap with +2/-3mm lateral and +/-3mm "in-out" adjustment

## UNI-V STANDARD CENTRAL POINT INTERLOCK

**Uni-V central point kit - Use one per pair of panels**

<b>G02208.31.01</b>	3100mm (122")	Aluminum	Silver (clear) anodized
<b>G02208.40.01</b>	4000mm (157½")	Aluminum	Silver (clear) anodized
<b>G02208.31.93</b>	3100mm (122")	Aluminum	Black anodized
<b>G02208.40.93</b>	4000mm (157½")	Aluminum	Black anodized

### Accessories

<b>G01610.DX.93</b>	Right hand cap kit
<b>G01610.SX.93</b>	Left hand cap kit



## UNI-V MINI CENTRAL POINT INTERLOCK

**Uni-V Mini central point kit - Use one per pair of panels**

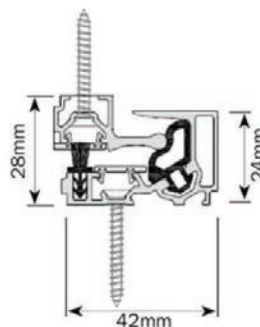
<b>G02211.31.01</b>	3100mm (122")	Aluminum	Silver (clear) anodized
<b>G02211.40.01</b>	4000mm (157½")	Aluminum	Silver (clear) anodized
<b>G02211.31.93</b>	3100mm (122")	Aluminum	Black anodized
<b>G02211.40.93</b>	4000mm (157½")	Aluminum	Black anodized

### Accessories

<b>G01623.DX.93</b>	Right hand cap kit
<b>G01623.SX.93</b>	Left hand cap kit



### Uni-V Standard 42mm



### Uni-V Mini 26mm



## ACCESSORIES FOR WOOD INTERLOCK

Essentials for basic wood interlocking panels.

- Basic interlock components using brush (for decompression chamber) (available in pipe) and gasket material in 150 and 500 foot rolls
- For wood or aluminum clad wood panels with 28mm panel gap and 6mm air gap
- Ask FFI for technical details



### Brush for decompression chamber

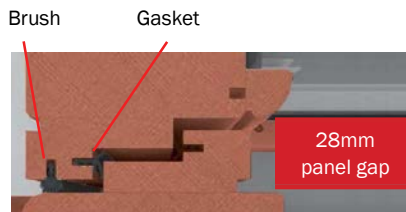
Use one per panel pair

**G02002.31.00** 3100mm (10' 2") Black

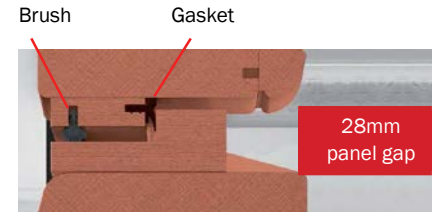
### Gasket

**LSGK.BTP.150** 150' roll Black

**LSGK.BTP.500** 500' roll Black



Basic Type Interlock



Easy Type Interlock



## FFI PANEL INTERLOCKS

Durable brass or aluminum (Class I anodized) for long life corrosion resistance. 1-year warranty.

- Easy panel alignment - Handles minor misalignments
- For wood or aluminum clad wood panels with 1/2" - 9/16" (12 to 15mm) air gap
- Provides additional strength between panels for hurricane testing
- Saves assembly time with simple installation
- See data sheet or installation instructions for more information

Panel Interlock	Order two pieces to connect two panels		
<b>SL300.12.01</b>	12' (3657mm)	Aluminum	Silver (clear) anodized
<b>SL300.12.02</b>	12' (3657mm)	Aluminum	Dark Bronze (Black) anodized
<b>SL300.12.03</b>	12' (3657mm)	Brass	Unfinished (mill)

Screws	One screw recommended every three inches		
<b>LVP 25S</b>	#6, 3.5 x 25mm (1") flathead screw	Steel	Silver
<b>LVP 25B</b>	#6, 3.5 x 25mm (1") flathead screw	Steel	Black
<b>LVP25SSST</b>	#6, 3.5 x 25mm (1") flathead screw	SST	Silver
<b>LVP25BSST</b>	#6, 3.5 x 25mm (1") flathead screw	SST	Black



Interlock gasket	Universal for oil or water-based paint	
<b>SLGK.02.024</b>	24' length PVC gasket (connects 1 set of 2 panels)	Black
<b>SLGK.02.750</b>	750' roll PVC gasket (connects 31 sets of 62 panels)	Black

